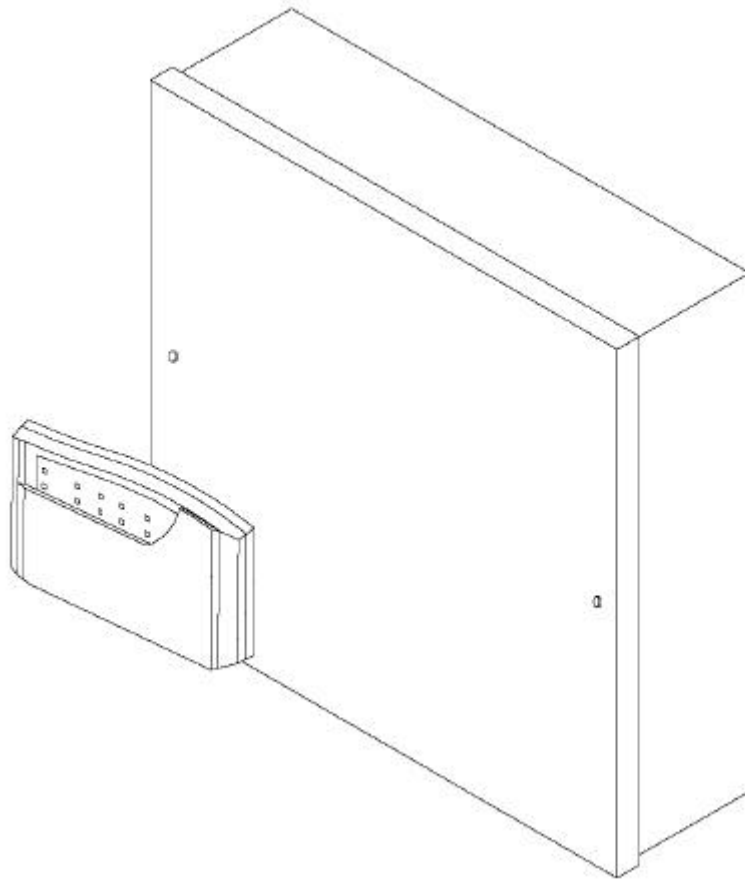


USER MANUAL



CEF AP28 CONTROL PANEL

AP28

WARNINGS

This product has mains voltage present within the housing. Please take the necessary precautions in not allowing any liquid to spill on or into the housing. There are no user serviceable parts inside this product.

STANDARDS

This unit conforms to EMC directive 89/336/EEC & LVD 73/23/EEC. This unit has been tested to the required standards for emission, immunity and LVD regulations as set out by the EU. This unit conforms to the requirements of BS4737 part 1 1986 which relates to security control equipment.

PRODUCT DESCRIPTION

The Control panel is an 8 zone programmable microprocessor control panel using state of the art technology and building techniques. The Control panel has many advanced features that can only be found in more expensive control panels. There are many options in the programming functions to allow the control panel to be versatile and user friendly. This allows the Control panel to be the ideal choice of your installer.

This product has been carefully designed and tested to give many reliable years of service. Please make sure the Control panel is regularly serviced at least once a year by your installer.

INSTALLER INFORMATION

NAME	
COMPANY	
INSTALLATION DATE	
TELEPHONE	
FAX	
MOBILE	
OTHER INFORMATION	

1:0 SETTING THE SYSTEM

To arm the system enter your user code. The exit tone from any extension speakers will sound at a low level, the keypad buzzer will also sound. Any pulsed tones should return to a continuous tone once you have left the building and the sensors have cleared. The control panel arms after the exit timer has run out, at this point the tone should cease. If for any reason the tone does not go continuous after all the sensors have cleared, return to the keypad and press the # key to abort the setting procedure. If the internal sounder activates after the timer has expired, return to the keypad and enter your user code and press #. Now refer to fault clearing. (section 14:0)

1:1 *Selecting Full Set*

Enter user code, no further action is required, leave the premises by the authorised exit route.

1:2 *Selecting Night Set*

Enter user code then press * then 0. The zones pre-programmed to be isolated will start to flash. The extension speaker sounds can be removed by the installer, if this is the case the extension sounder may stop as soon as night set is selected. If the installer has programmed instant night set the system arms as soon as the selection is made.

1:3 *HOME SET*

Enter user code then press * then 8. This isolates any zones programmed for isolation. Please note that this setting method will allow the isolation of ALL entry routes including zone 1 (if enabled by the installer). Follow the paragraph 1:0 for guidance regarding exit tones etc.

2:0. MANUAL ISOLATION OF ALARM ZONES .

There may be occasions when you need to isolate additional zones. Arm the system as above, then press * then the zone number you want to isolate. That zone will flash indicating a successful isolation, if you want more zones isolated press * and another zone. If any zone is barred from isolation an error tone will be emitted.

Zones that cannot be isolated

- Fire
- PA
- Tamper
- Zone 1 in Full Set
- Zone 8

SETTING THE SYSTEM

FULL SET

NIGHT SET

HOME SET

ZONE ISOLATION

DISARMING

3:0 DISARMING THE SYSTEM

Enter the protected area by the authorised entry route, a single continuous tone will be heard from any extension speaker and from keypads. Proceed directly to the keypad and enter your user code, the system will disarm. If the entry tone from the speaker changes to rapid pips then you have less than 10 seconds to disarm the system.

DISARMING AFTER AN ALARM

4:0 DISARMING AFTER AN ALARM

4:0:1 AFTER THE PANEL HAS AUTO RESET

Enter the protected area by the authorised entry route, an intermittent tone will be heard from any extension speaker, proceed directly to keypad and enter your user code, the system will disarm, the zone/s will light on the control panel to indicate the cause of the alarm, refer to panel reset section 13:0 to clear the panel.

The first to alarm will show a constantly illuminated light. Subsequent alarms are shown as fast flashing lights. Zones that were isolated are shown as slow flashing lights.

4:0:2 WHILE PANEL IS IN ALARM

Go directly to the keypad and insert your user code, the system will disarm, the zone/s will light on the control panel to indicate the cause of the alarm, refer to panel reset to clear.(section12:0)

The lights follow the same descriptions as above in section 4:0:1.

WHILE PANEL IS IN ALARM

5:0 TAMPER FAULTS

The control panel is equipped with a common tamper circuit giving protection from unauthorised handling. If the tamper circuit is broken during any unset period the internal sounder will trigger and the tamper light will illuminate. Proceed directly to the keypad and enter your user code, the internal sounder will stop and revert to a low two tone sound. Press the # key the panel will reset, if the tamper light continues to flash then the cause of the tamper condition is still present. Refer to fault clearing.(section 13:0)

TAMPER

6:0 PERSONAL ATTACK

If your system has a personal attack button fitted this will be linked into the alarm system as a 24hr device. This means the PA button will be live all the time. If the PA is pressed all the sounders will operate and bring up the zone light programmed as PA. Proceed directly to the keypad and enter your user code, the sounders will stop and revert to a low two tone sound. Press the # key the panel will reset, if the zone light continues to flash then the cause for the personal attack condition is still present. Go to the personal attack button(s) and reset with the special key provided, the zone light should go out. If the light continues to flash refer to fault clearing. (section 14:0)

PERSONAL ATTACK

Note: If the panel is armed and a PA is activated, you will need to disarm the system as explained in section 4

6:0:1 PERSONAL ATTACK FROM REMOTE KEYPAD

If the installer has programmed personal attack on the keypads, pressing and holding the * & # keys together for 3 seconds activates the system as in 6:0. The only difference is that the tamper light will illuminate. Enter the user code, the sounders will stop and revert to a low two tone sound. Press the # key and the panel will reset.

7:0 FIRE

The installer may have linked smoke detectors to the control panel. If so the sounder will give a loud whooping sound and the external sounder will pulse at 2 second intervals. When the panel is set, the external sounder constantly sounds. **Make sure that every one exits the premises.** When you are sure that it is safe to return back, proceed directly to keypad enter the user code. The sounders will stop and revert to a low two tone sound. Press the # key the panel will reset.

USER FUNCTIONS & OPTIONS

8:0 CODE CHANGE

There maybe times that you need to change your user code. The system has 2 user codes. To help you remember your new code, write it down **before** changing it and after you have successfully changed and memorised the code destroy the written code. Remember, try not to use obvious codes such as the current year. To change **user code 1** enter your existing user 1 code then press *, then **9** then **1**. Four lights will illuminate, enter your new 4 digit code. For every digit pressed of your new code, one light will extinguish. Once your new code is entered the panel will give you an accept tone, if the panel does not accept your code then you may be in conflict with user code 2 or the engineering code, the panel will abort the code change and retain your old code. Try again with a different code. Check your new code is functioning correctly by performing a full or night set then abort by pressing #.

To change **user 2 code** go through the above procedure but press *, then **9** then **2**.

Panel Default Code is **1,2,3,4** for user 1 code. User 2 code is disabled by default.

User code access levels.

- User 1 code can alter both user codes.
- User 1 code can disable user 2 code. (To disable user 2 code changed user 2 code to **0000**)
- User 2 code has the same setting rights as the user 1 code
- User 2 code cannot alter the user 1 code

If for any reason you loose your code or mistype in a code when changing it, the installer will need to be contacted to default the panel codes.

PERSONAL
ATTACK FROM
REMOTE
KEYPAD

FIRE

CODE CHANGE

CODE ACCESS
LEVELS

SOUNDER TEST

9:0 SOUNDER TESTS

It is advisable to check that the sounders are working correctly periodically. To do this go to a keypad, enter a user code then press * then **9**, each of the tests lasts for 5 seconds. All the lights on the control panel will illuminate, and the system tests start. The lights will go out and the internal sounder will activate (proceed outside where the external sounder is fitted). The external sounder will trigger then the external strobe will flash (if fitted and enabled) and then the panel will clear down. The test is now complete.

QUICK CHECK

Enter code then, *, **9** .

All lights on.

Internal sounder.

External Sounder.

Strobe.

Test Ended Panel clears.



EACH CONDITION IN 5 SECOND INTERVALS

WALK TEST

10:0 WALK TESTING

It is advisable to check that the detection devices are communicating with the panel. This kind of testing should be performed every 3 months. To do this go to the keypad enter a user code, then press *, then **9** and **4**. When any detector is activated or a door fitted with a contact is opened, the internal sounder will give a loud pulsing tone and the zone light will illuminate. Clear the detector or close the door and the sound will revert back to a continuous sound, proceed to the next device until you have completed testing all the zones.

NOTE: The zone LED's will stay on at the keypad until the tests have been completed to allow confirmation that all zones have operated correctly.

press * to exit the walk test mode.

Quick check

Enter code then, *, **9** ,**4**

Walk test the zones

Press * to finish

Zones that cannot be walk Tested are:

Fire

PA

Tamper

CHIME

11:0. CHIME.

The control panel offers the ability to have chime on a zone when unset. This feature will emit a chime tone via the extension speaker whenever a zone is activated. To achieve this press the * key and the number key that represents the zone(s) you want on chime. The light for the zone will illuminate. Press * to accept the zones on chime. To remove a zone on chime press the * key and the zones will light up that are currently active. Press the key that represents the zone, the light will go out, chime is now disabled on that zone. Press * key to finish. **This feature is only active on zones enabled by your installer.**

12:0 LOGS

The Control panel has the ability to look at the last 9 set and unset conditions of the panel as well as the last alarm conditions. This is useful if the panel has been reset and you need to find the zone that caused the alarm.

Enter a user code, the exit tone will start, then press the * key then **9, 3**. The log starts viewing Day 1 set. The log is organised as SET and UNSET events. All events are recorded. The first alarm is shown by the relevant LED being lit continuously. Subsequent alarms are shown by a fast pulse of the zone LED. Any isolated zones are shown by a slow pulse of the zone LED. The buzzer sounds whilst viewing the SET logs. Pressing the **0** key shows the last alarm event that occurred, even if the panel has been set many times. Pressing the **#** key changes between viewing the SET and UNSET logs. This may be done at any time. The log review automatically ends after 15 seconds if no keys are pressed.

KEY	VIEW
0	LAST ALARM
1	LOG EVENT 1
2	LOG EVENT 2
3	LOG EVENT 3
4	LOG EVENT 4
5	LOG EVENT 5
6	LOG EVENT 6
7	LOG EVENT 7
8	LOG EVENT 8
9	LOG EVENT 9
#	SET / UNSET

Press the * key to finish.

13:0 RESETTING THE ALARM SYSTEM

If the alarm system has activated you will need to reset the panel, make a note of the zone that caused the activation for future reference. Enter the user code, the internal sounder will give a low two tone sound, press the **#** key and an accept tone will be given and the activated zone light will go out and the panel will reset. The system is now ready for use.

LOGS

RESETTING THE ALARM SYSTEM

14:0 FAULT CLEARING

SYMPTOM	CAUSE	ACTION
Zone light on continuous in day	Alarm activated	Do a panel reset
Tone pulsing on exit	Zone in Fault	Leave protected area and wait for tone to go continuous.
Tone continues to pulse after exit	Zone in Fault	Check for open doors, or a detector is in fault, call your installer
Alarm triggers on exit	Timer ran out	Go quicker to exit or call your installer to extend exit time
Alarm triggers on entry	Timer ran out, deviated from entry route.	Follow entry procedure, call your installer to extend entry time
Tamper light continues to flash	Tamper fault	Call Installer
No Mains Light	Mains off, fuse blown	Switch mains on, check other mains appliances, call electricity supplier or installer
Panel appears dead (no mains light)	battery not taking over	Check mains is on. Call installer to check battery.

ZONE No	AREA COVERED
1	
2	
3	
4	
5	
6	
7	
8	

Manufactured for City Electrical Factors by IntelliSense UK Ltd.

